

TECHNICAL SERVICE BULLETIN

To: [Distributor/Customer]

From: PowerBoss Technical Support

Date: 10-25-2022

Subject: Possible failure of the heat exchanger on the Nautilus sweeper scrubber with the heated solution option installed. Serial numbers of machines affected: 21PB1232 to 22PB1622

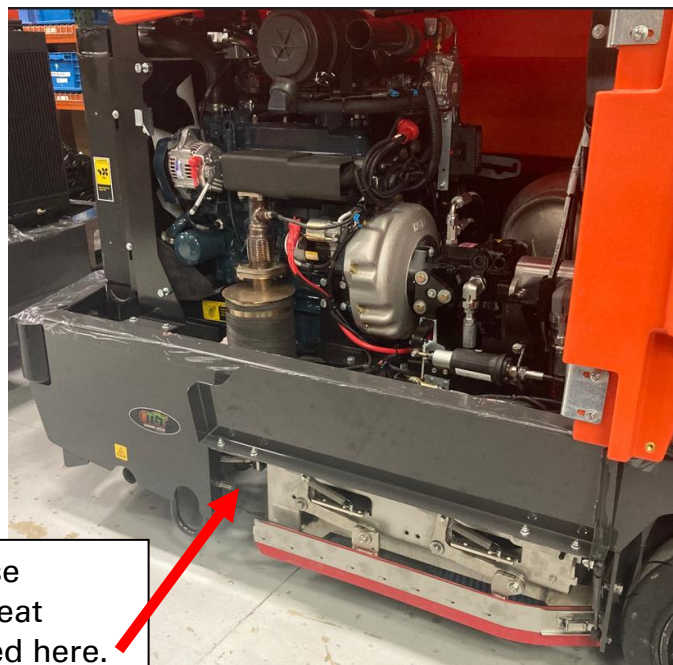
Reason for Issue:

We are seeing premature heat exchanger failures.

All machines in the affected serial number range, with the heated solution option should bypass the solution line to the heat exchanger to prevent premature heat exchanger failures until a field replacement fix is released.

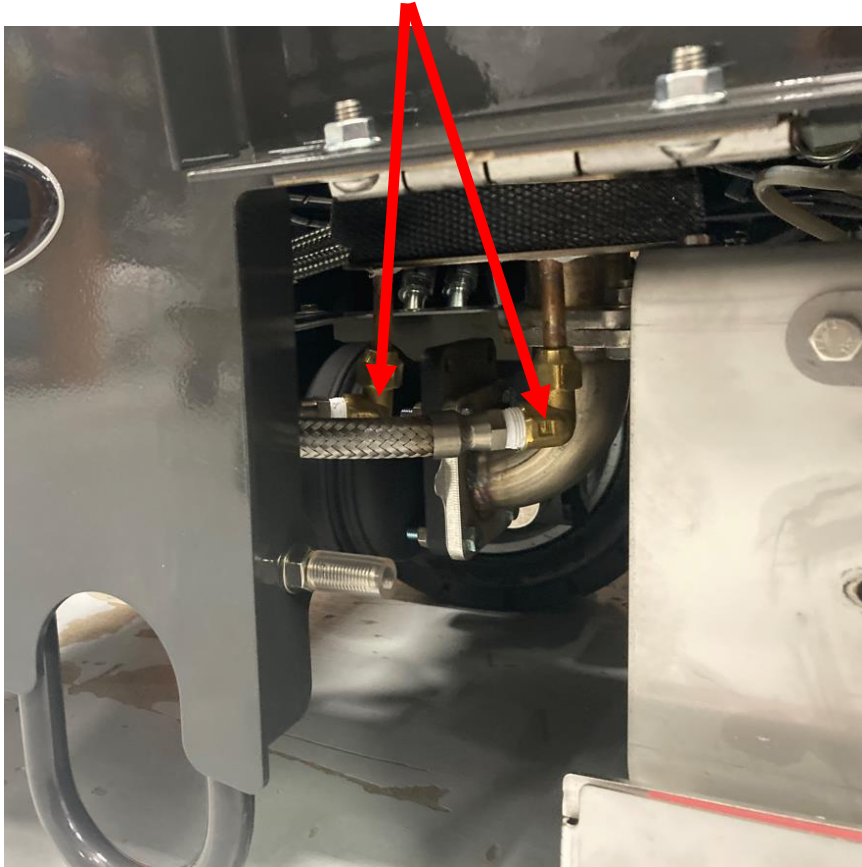
Procedure for bypassing heat exchanger

1. Locate the solution hoses connected to the heat exchanger on the engine side of the machine just in front of the main scrub brush deck.



Solution line hose connections to heat exchanger located here.

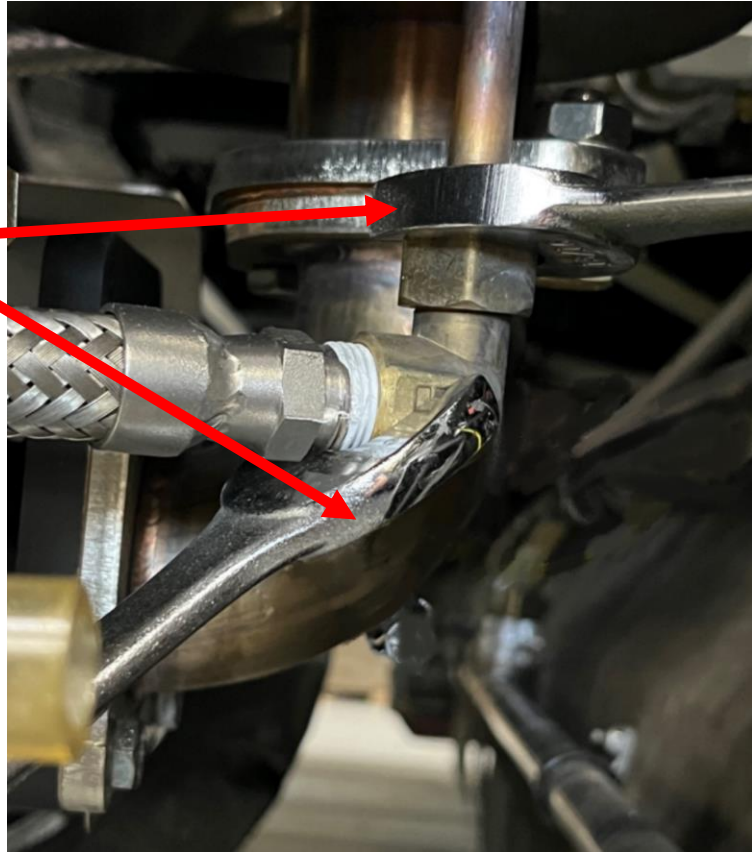
2. Disconnect these 2 fittings from the heat exchanger:



Make sure to secure both the flare nut on the heat exchanger and the brass fitting with wrenches when loosening to prevent damage to the components.



2. (continued)
Secure flare nut and
fitting when loosening:



Use a 7/8 and 13/16 wrench to remove
fitting from heat exchanger:



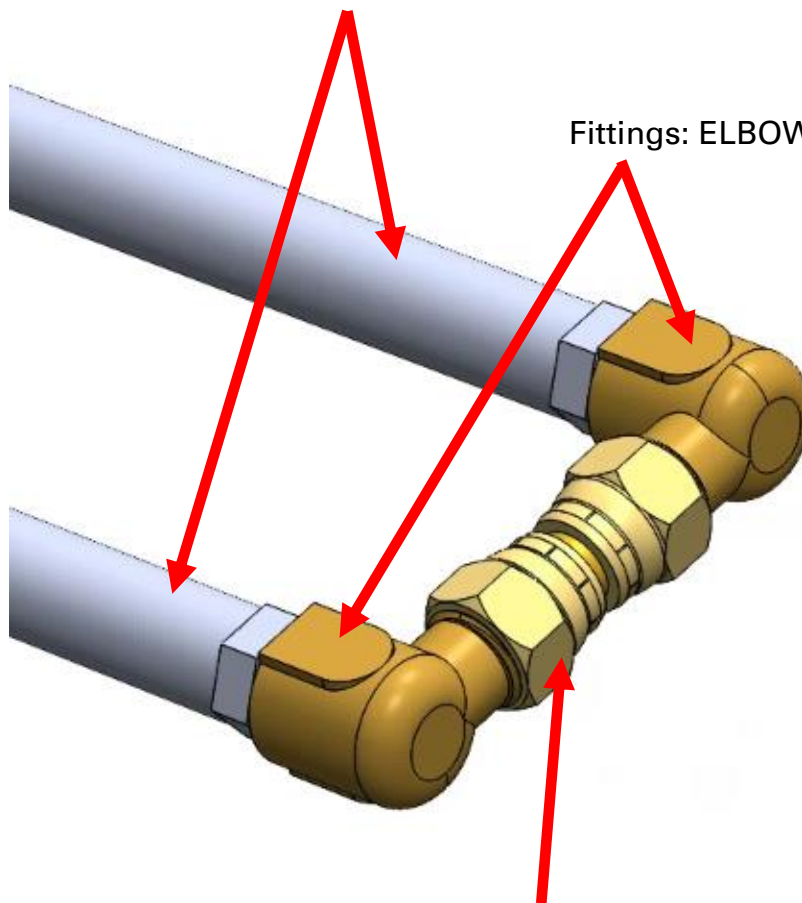
3. Connect fittings together with a 3/8" Female 45° Flare to 3/8" Female 45° Flare Swivel fitting.
Grainger part number 20XN43 or equivalent.



4. Elbow fittings will need to be removed from stainless steel hoses and reinstalled as shown to align the elbows without twisting the stainless steel hoses.

- a) Remove elbow fittings from stainless steel hoses.
- b) Clean old teflon tape off NPT threads on stainless steel hoses.
- c) Install new teflon tape on NPT threads on stainless steel hoses.
- d) Reinstall elbow fittings and align as shown below.

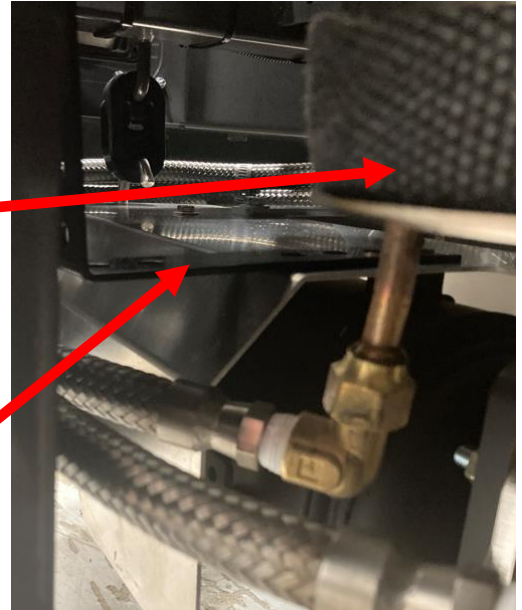
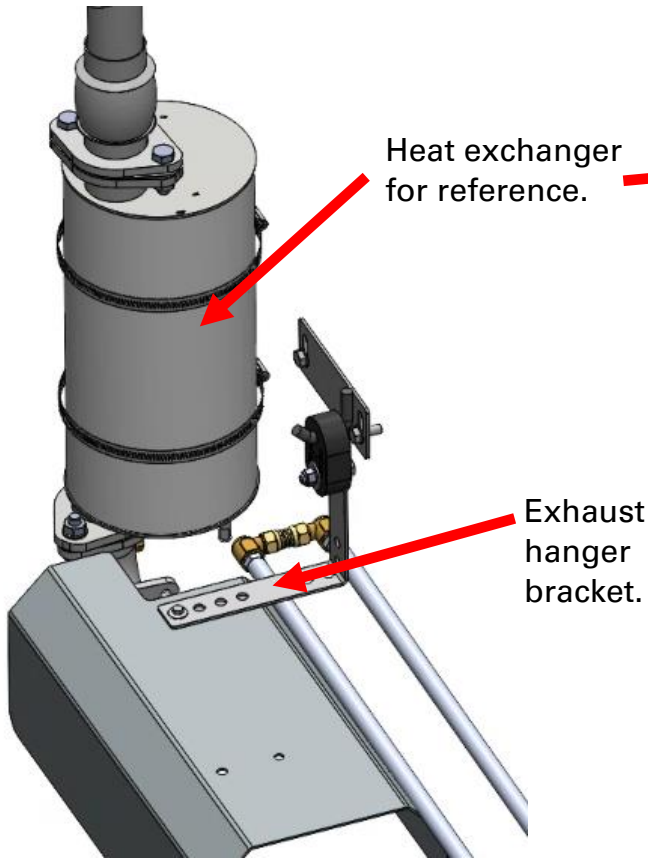
Stainless steel solution lines:
HOSE, SS, 3/8 NPT, 48"



Fittings: ELBOW 90 3/8 FPT X 3/8 SAE FLARE

Swivel connector:
3/8" Female 45° Flare to 3/8" Female 45° Flare Swivel fitting.
Grainger part number 20XN43 or equivalent

5. Secure the now loose hoses to the exhaust hanger bracket.



Note: Solution hoses and fittings are still attached in this picture. They should have been removed by this step. Picture is for reference only to aid in locating the exhaust hanger bracket.

Models/Serial Numbers Affected:

21PB1232 to 22PB1622

Informational Only For Purchase Warranty Product Improvement

For further assistance, questions, or comments contact Technical Support at 800-323-9420 (USA)